

The 2024 Dad Suggests Picture Book Bracket

TYPE HERE

TYPE HERE

(1) THE QUEEN IN THE CAVE

(2) A DAYDREAMY CHILD TAKES A WALK

(3) MY SELF, YOUR SELF

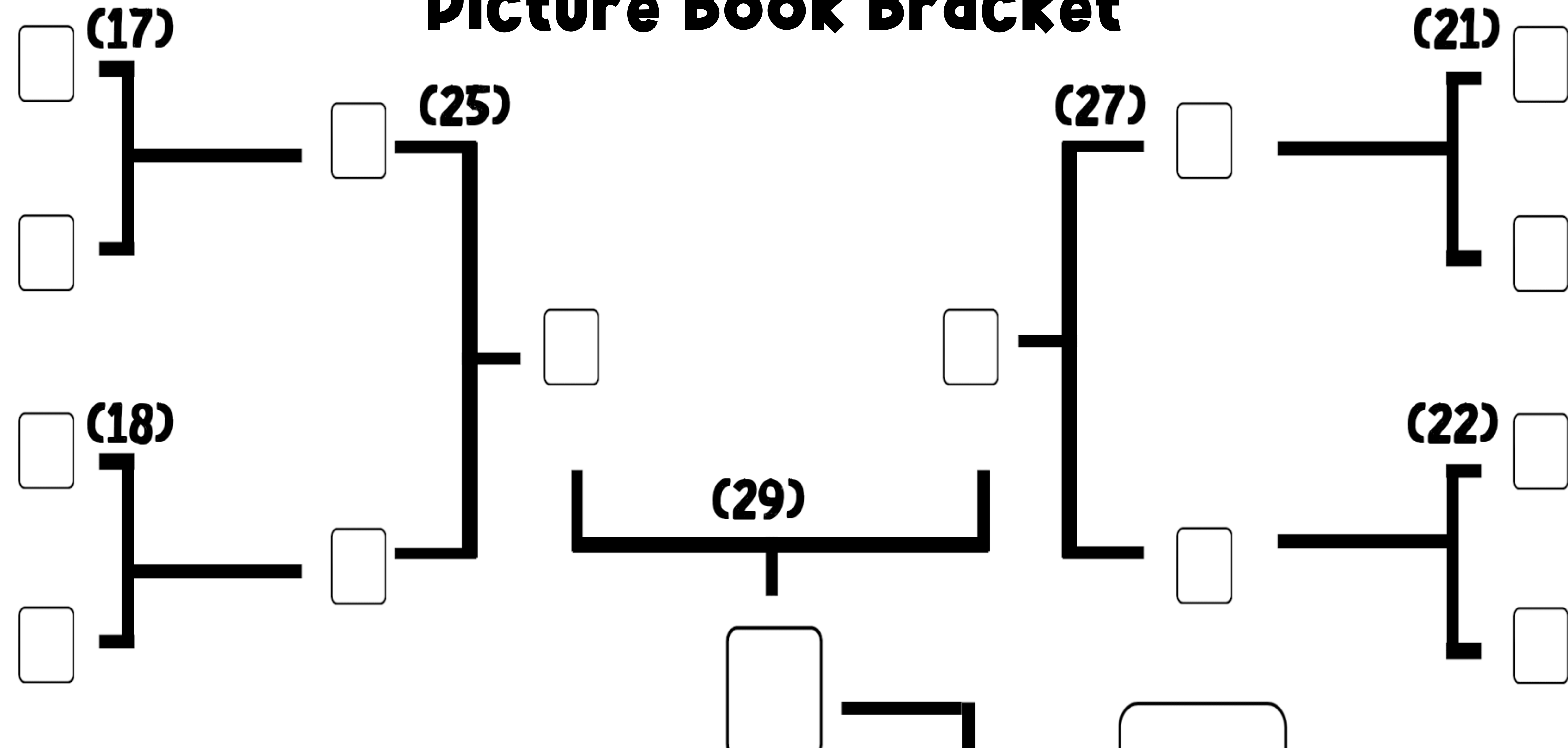
(4) POKKO AND THE DRUM

(5) WAYS TO MAKE FRIENDS

(6) TWENTY QUESTIONS

(7) THE BEAR AND THE WILDCAT

(8) LIZZY AND THE CLOUD



(9) SMALL IN THE CITY

(10) JULIA'S HOUSE GOES HOME

(11) IF YOU COME TO EARTH

(12) THE MIDNIGHT FAIR

(13) THE RABBIT LISTENED

(14) THE ROCK FROM THE SKY

(15) AND THE PEOPLE STAYED HOME

(16) THE SKULL

(17) MINA

(18) I WONDER

(19) THE BARNABUS PROJECT

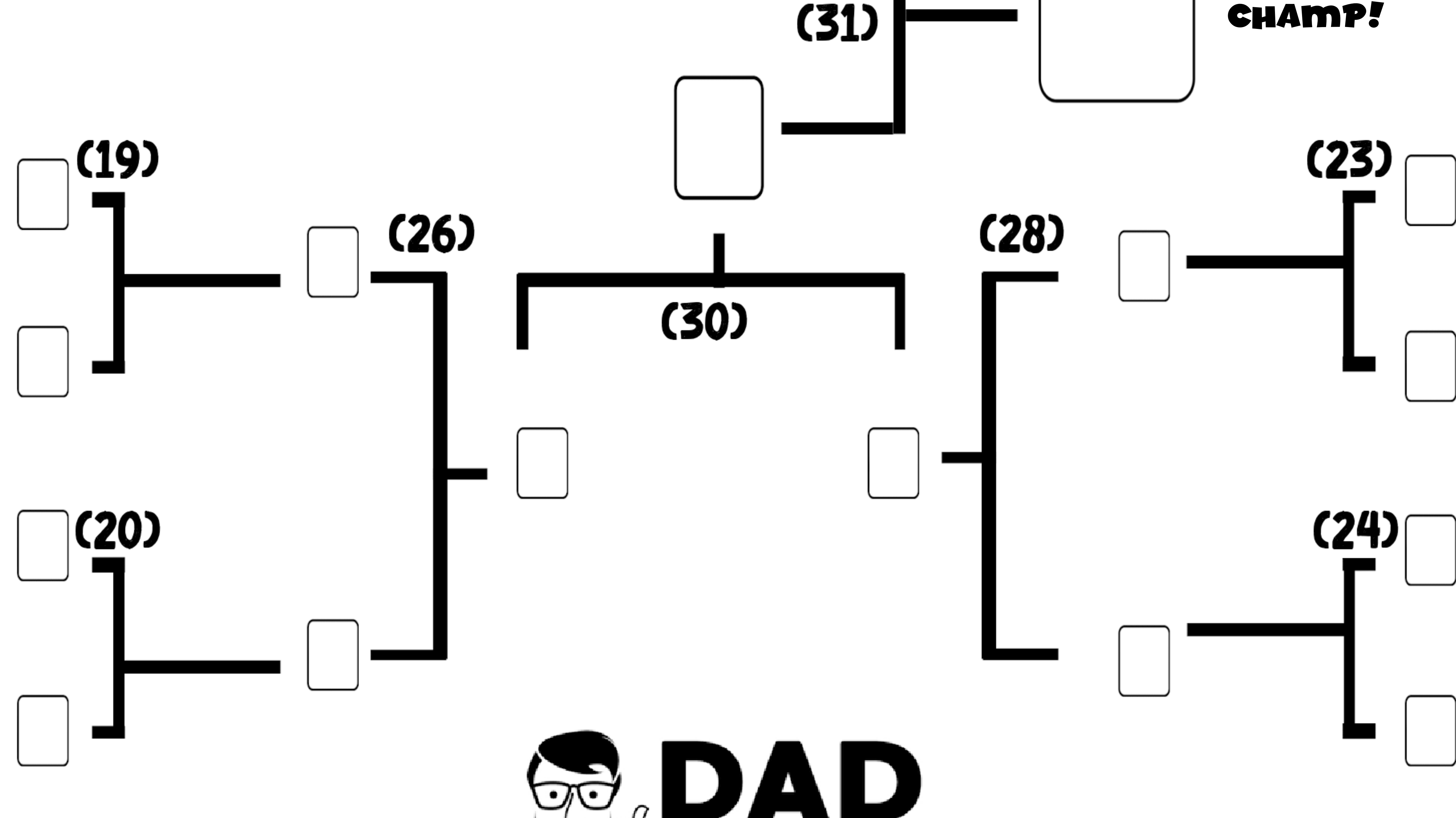
(20) MAUD AND GRAND-MAUD

(21) THE LITTLE WODDEN ROBOT AND THE LOG PRINCESS

(22) MARY WEARS WHAT SHE WANTS

(23) THE OLDEST STUDENT

(24) I'M GOING TO BUILD A SNOWMAN



(25) OCEAN MEETS SKY

(26) MANOLO AND THE UNICORN

(27) MILO IMAGINES THE WORLD

(28) I WALK WITH VANESSA

(29) TEN-WORD TINY TALES

(30) ALL THE WAYS TO BE SMART

(31) CARMELA FULL OF WISHES

(32) SIR SIMON: SUPER SCARER

2024 CHAMP!

